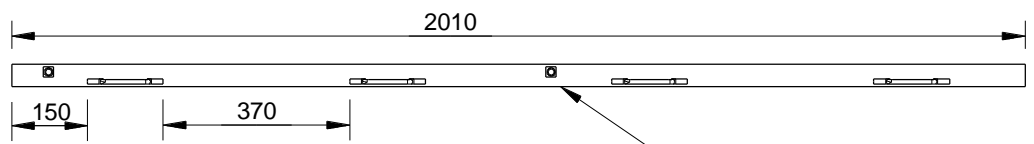
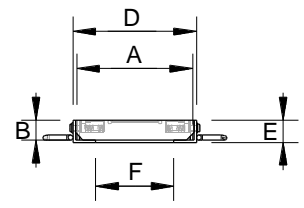


1 2 3 4 5 6



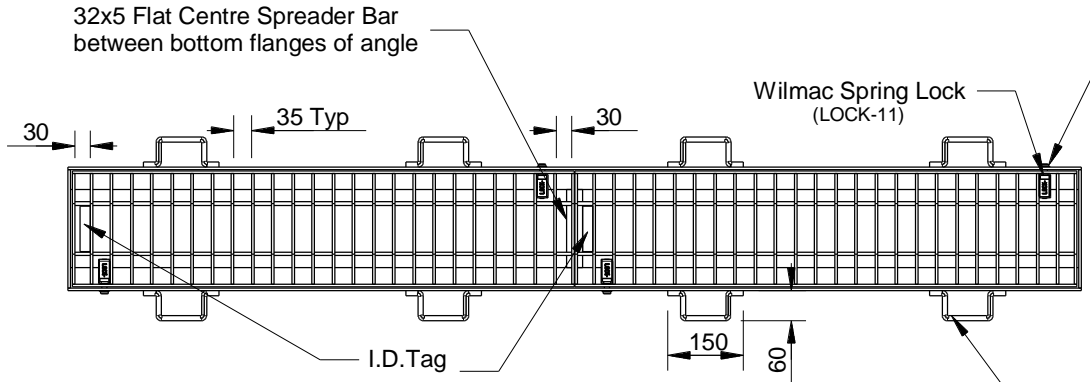
**Unit Side View**



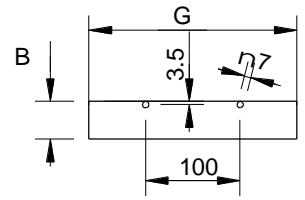
**Unit End View**

Grate Size			Spacer Size			Frame Size		
A	B	C	A	B	C	A	B	C
995	150	25	155	25	3	2010	165	30
995	150	32	155	32	3	2010	165	40
995	230	25	235	25	3	2010	245	30
995	230	32	235	32	3	2010	245	40
995	230	40	235	40	3	2010	245	45
995	300	25	305	25	3	2010	315	30
995	300	32	305	32	3	2010	315	40
995	300	40	305	40	3	2010	315	45

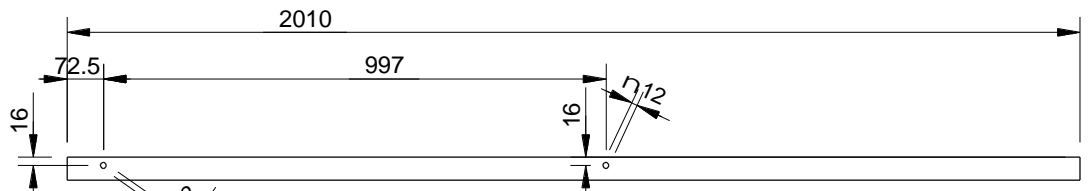
**Table of Sizes**



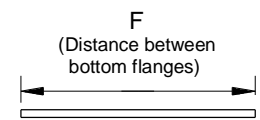
**Unit Top View**



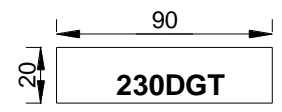
**Load Bar Detail**



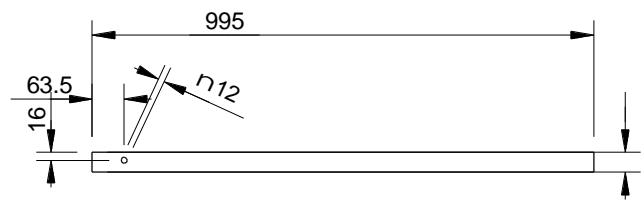
**Angle Frame Detail**



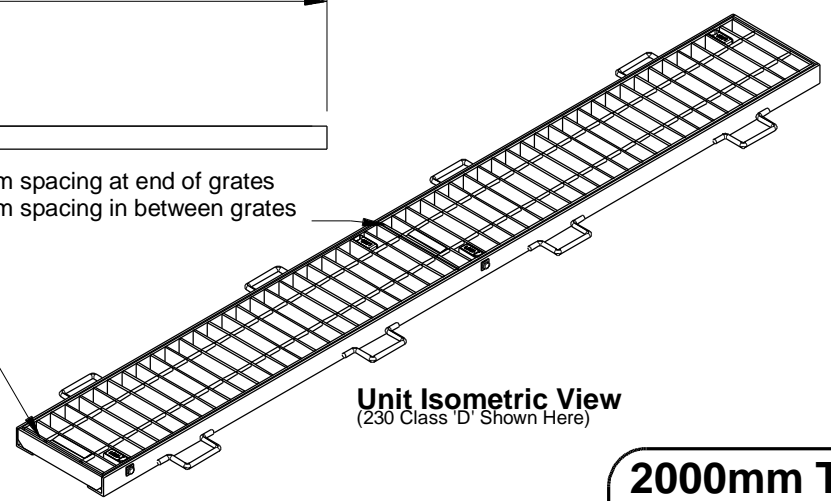
**32x5 Centre Spreader Bar**



**Typical I.D. Tag**



**Grate Side Bar Detail**



**Unit Isometric View**  
(230 Class 'D' Shown Here)

**Wilmac**  
Quality Drainage Products

**2000mm Trench Grate and Frame**

Description:		
Dwg. No:	<b>2000 GTF</b>	Drawn by: <b>W.McG</b>
		Date: <b>12-9-10</b>

A

B

C

D

A

B

C

D

1 2 3 4 5 6