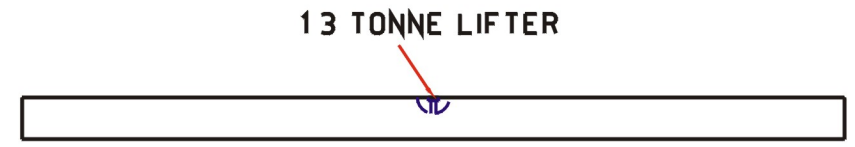


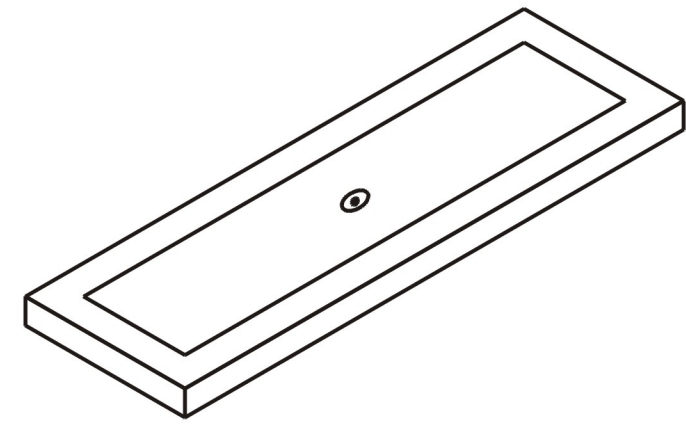
PLAN



SIDE VIEW



END VIEW



ISOMETRIC VIEW



WILMAC QUALITY DRAINAGE PRODUCTS

12ACC

**Pedestrian Duty Drop In
Cover to suit 1200x1200 Pit**