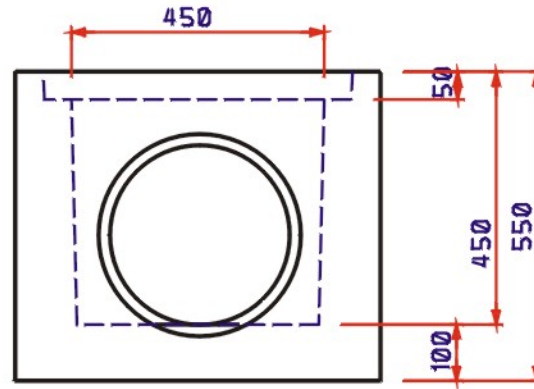
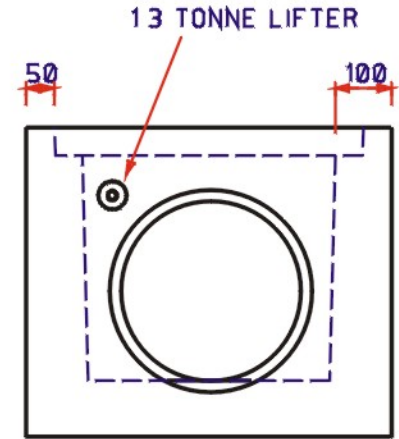


TOP VIEW



FRONT VIEW



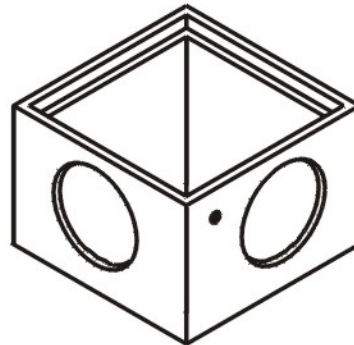
SIDE VIEW

Weight of Item

**330 Kilo**

Application & Uses

**Drainage  
Electrical  
Sewerage  
Communication**



ISOMETRIC VIEW

**300 Max. Pipe**

Description of Item

**450x450x450 Pit Base**

Product Code

**555P**

**WILMAC PTY LTD**

ABN 39 002 205 969

40 Burrabogee Road Pendle Hill NSW  
phone(02) 9631 0957 fax: (02) 9636 3715  
email: sales@wilmac.com.au

**All WILMAC products are manufactured to comply with the published Australian Standard relating to the application for which they are intended.**



Quality Drainage Products