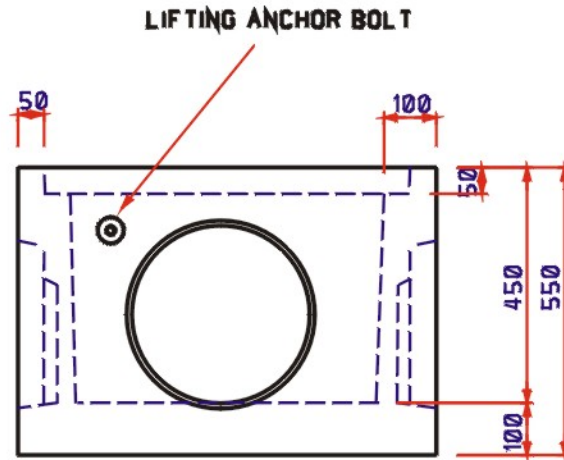
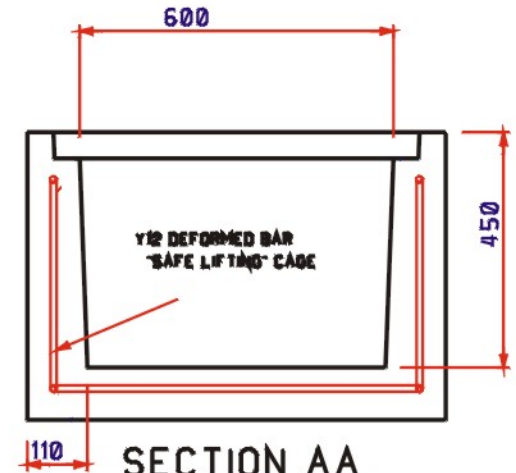


TOP VIEW



FRONT VIEW



SECTION AA

Weight of Item

360 Kilo

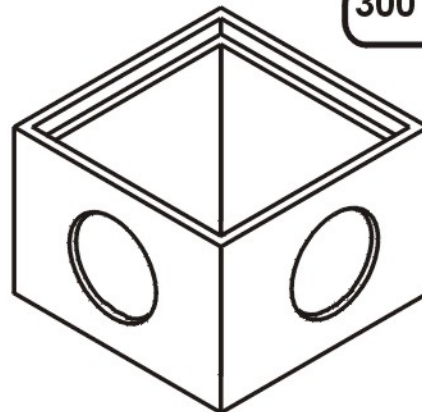
Application & Uses

**Drainage
Electrical
Sewerage
Communication**



Quality Drainage Products

300 Max. Pipe



ISOMETRIC VIEW

Description of Item

600x600x450 Pit Base

Product Code

665P

WILMAC PTY LTD

ABN 39 002 205 969

40 Burrabogee Road Pendle Hill NSW
phone(02) 9631 0957 fax: (02) 9636 3715
email: sales@wilmac.com.au

All WILMAC products are manufactured to comply with the published Australian Standard relating to the application for which they are intended.