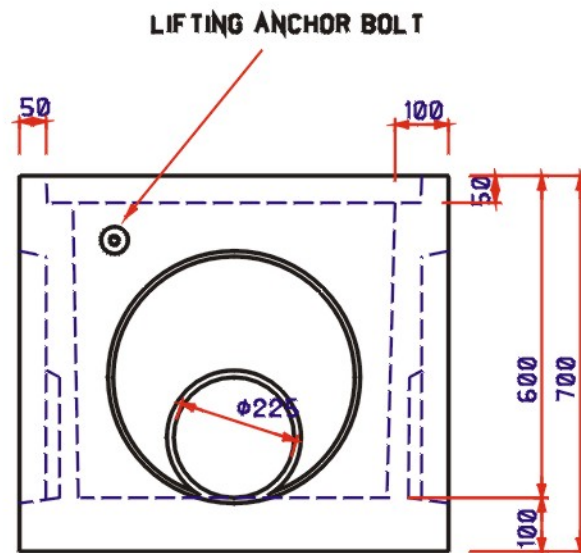
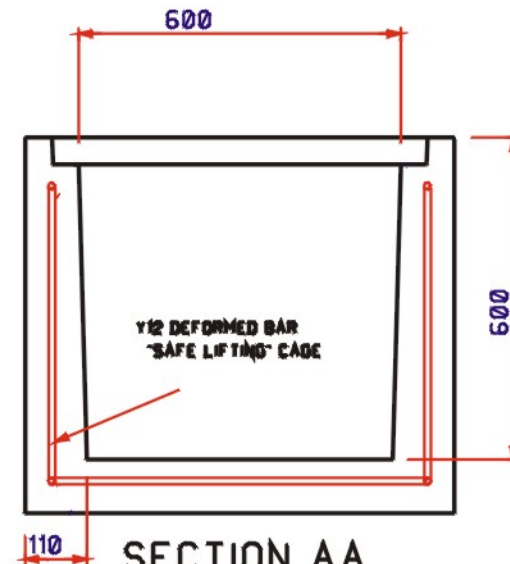


TOP VIEW



FRONT VIEW



SECTION AA

Weight of Item

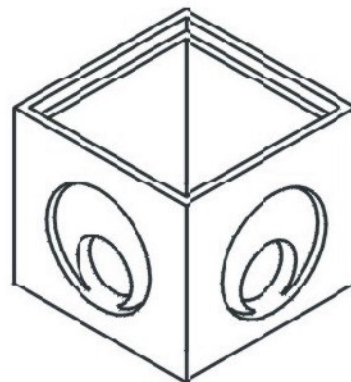
400 Kilo

Application & Uses

**Drainage
Electrical
Sewerage
Communication**



Quality Drainage Products



ISOMETRIC VIEW

All WILMAC products are manufactured to comply with the published Australian Standard relating to the application for which they are intended.

Description of Item

600x600x600 Pit Base

Product Code

666P

WILMAC PTY LTD

ABN 39 002 205 969

40 Burrabogee Road Pendle Hill NSW
phone(02) 9631 0957 fax: (02) 9636 3715
email: sales@wilmac.com.au