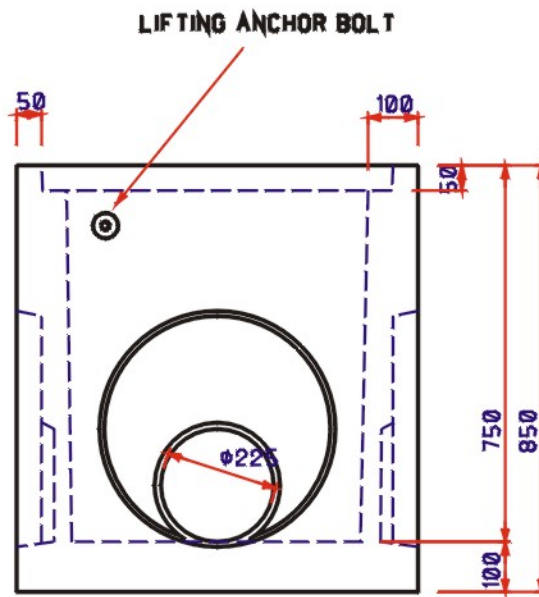
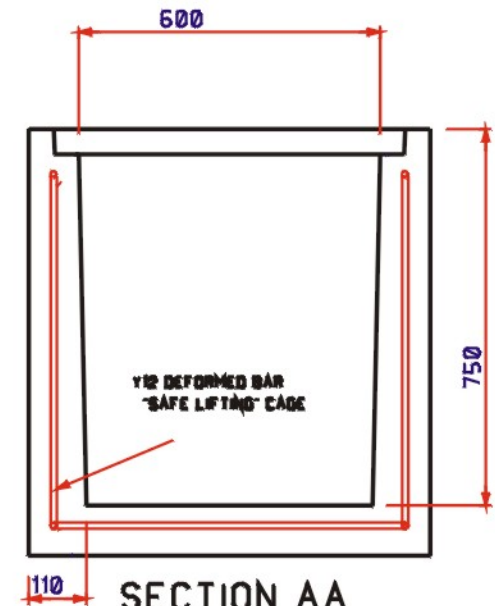


TOP VIEW



FRONT VIEW



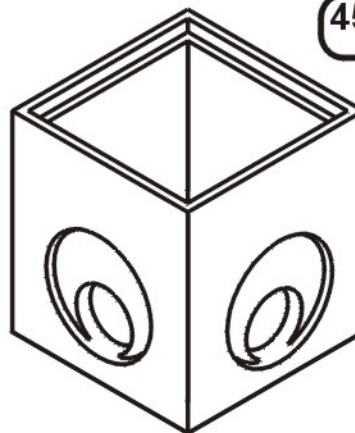
SECTION AA

Weight of Item

440 Kilo

Application & Uses

**Drainage
Electrical
Sewerage
Communication**



ISOMETRIC VIEW

450 Max. Pipe

Description of Item

600x600x750 Pit Base

Product Code

667P

WILMAC PTY LTD

ABN 39 002 205 969

40 Burrabogee Road Pendle Hill NSW
phone(02) 9631 0957 fax: (02) 9636 3715
email: sales@wilmac.com.au

All WILMAC products are manufactured to comply with the published Australian Standard relating to the application for which they are intended.



Quality Drainage Products