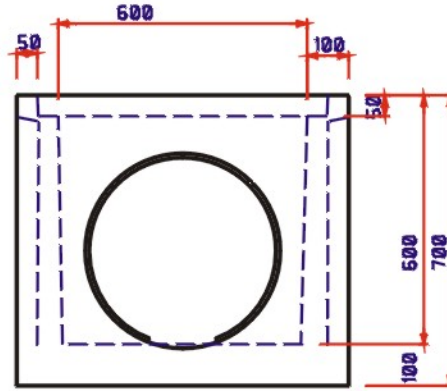
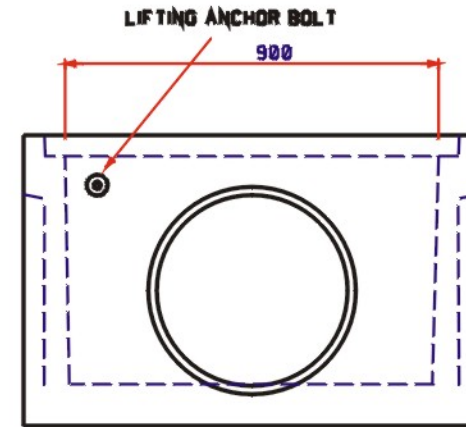


TOP VIEW



FRONT VIEW



SIDE VIEW

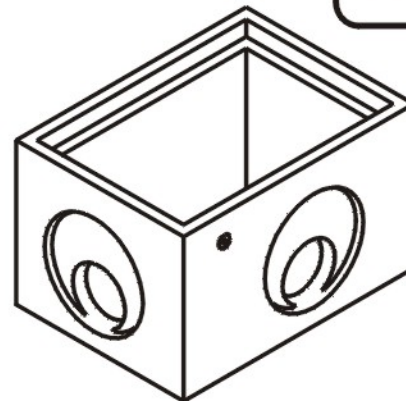
Weight of Item

616 Kilo

Application & Uses

**Drainage
Electrical
Sewerage
Communication**

450 Max. Pipe



ISOMETRIC VIEW

Description of Item

900x600x600 Pit Base

Product Code

966P

WILMAC PTY LTD

ABN 39 002 205 969

40 Burrabogee Road Pendle Hill NSW
phone(02) 9631 0957 fax: (02) 9636 3715
email: sales@wilmac.com.au

All WILMAC products are manufactured to comply with the published Australian Standard relating to the application for which they are intended.



Quality Drainage Products