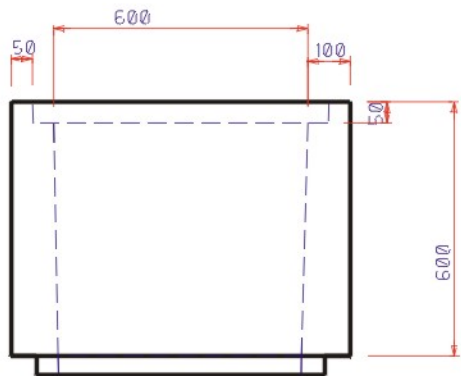
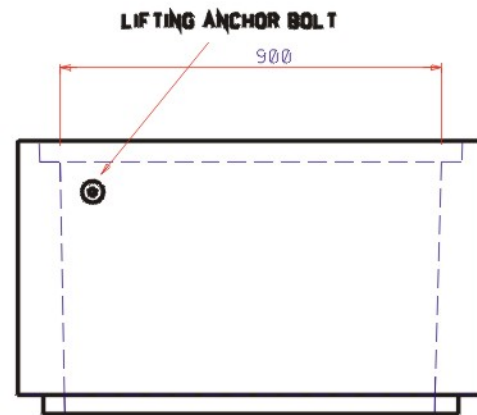


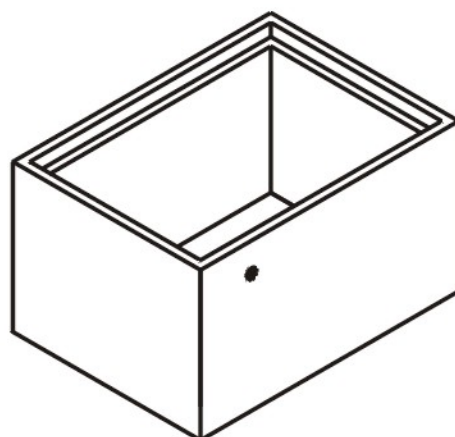
TOP VIEW



FRONT VIEW



SIDE VIEW



ISOMETRIC VIEW

Weight of Item

518 Kilo

Application & Uses

**Drainage
Electrical
Sewerage
Communication**



Quality Drainage Products

All WILMAC products are manufactured to comply with the published Australian Standard relating to the application for which they are intended.

Description of Item

900x600x600 Riser

Product Code

966R

WILMAC PTY LTD
 ABN 39 002 205 969
 40 Burrabogee Road Pendle Hill NSW
 phone(02) 9631 0957 fax: (02) 9636 3715
 email: sales@wilmac.com.au