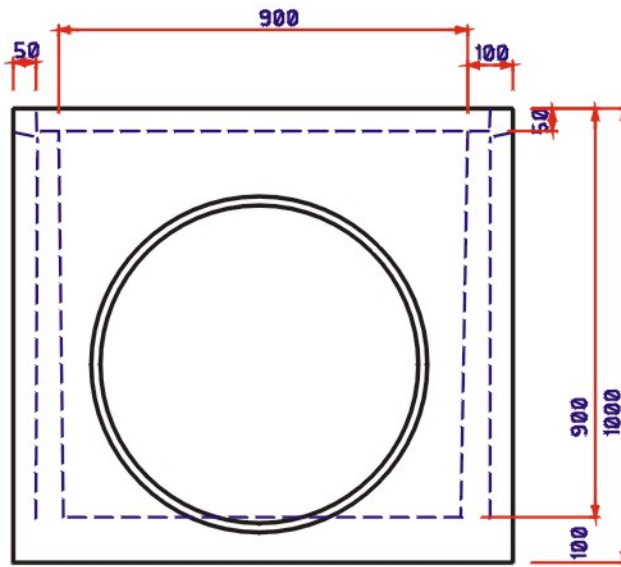
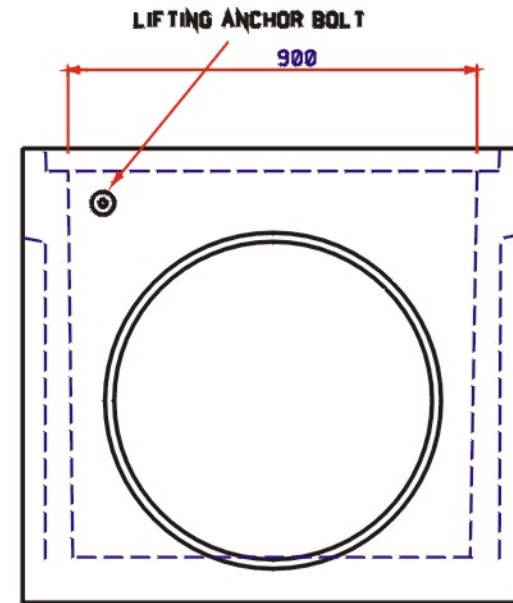


TOP VIEW



FRONT VIEW



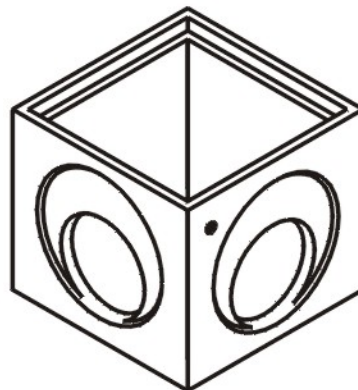
SIDE VIEW

Weight of Item

1100 Kilo

Application & Uses

**Drainage
Electrical
Sewerage
Communication**



ISOMETRIC VIEW

600 Max. Pipe

Description of Item

900x900x900 Pit Base

Product Code

999P



Quality Drainage Products

All WILMAC products are manufactured to comply with the published Australian Standard relating to the application for which they are intended.

WILMAC PTY LTD

ABN 39 002 205 969

40 Burrabogee Road Pendle Hill NSW
phone(02) 9631 0957 fax: (02) 9636 3715
email: sales@wilmac.com.au